



# 2 HP METAL DUST COLLECTOR

03/2017



Line Interruption

MODEL: KC-7300C

# INSTRUCTION MANUAL

COPYRIGHT © 2016 ALL RIGHTS RESERVED BY KING CANADA TOOLS INC.

# WARRANTY INFORMATION



**2-YEAR  
LIMITED WARRANTY  
FOR THIS METAL DUST COLLECTOR**

**KING CANADA TOOLS  
OFFERS A 2-YEAR LIMITED WARRANTY  
FOR COMMERCIAL USE.**

## **PROOF OF PURCHASE**

Please keep your dated proof of purchase for warranty and servicing purposes.

## **REPLACEMENT PARTS**

Replacement parts for this product are available at our authorized King Canada service centres across Canada.

## **LIMITED TOOL WARRANTY**

King Canada makes every effort to ensure that this product meets high quality and durability standards. King Canada warrants to the original retail consumer a 2-year limited warranty as of the date the product was purchased at retail and that each product is free from defects in materials. Warranty does not apply to defects due directly or indirectly to misuse, abuse, normal wear and tear, negligence or accidents, repairs done by an unauthorized service centre, alterations and lack of maintenance. King Canada shall in no event be liable for death, injuries to persons or property or for incidental, special or consequential damages arising from the use of our products.

To take advantage of this limited warranty, return the product at your expense together with your dated proof of purchase to an authorized King Canada service centre. Contact your retailer or visit our web site at [www.kingcanada.com](http://www.kingcanada.com) for an updated listing of our authorized service centres. In cooperation with our authorized serviced centre, King Canada will either repair or replace the product if any part or parts covered under this warranty which examination proves to be defective in workmanship or material during the warranty period.

## **NOTE TO USER**

This instruction manual is meant to serve as a guide only. Specifications and references are subject to change without prior notice.

## **PARTS DIAGRAM & PARTS LISTS**

Refer to the Parts section of the King Canada web site for the most updated parts diagram and parts list.

**KING CANADA INC. DORVAL, QUÉBEC, CANADA H9P 2Y4**

**[www.kingcanada.com](http://www.kingcanada.com)**



# GENERAL SAFETY INSTRUCTIONS

**VOLTAGE WARNING:** Before connecting the machine to a power source (receptacle, outlet, etc.) be sure the voltage supplied is the same as that specified on the nameplate. A power source with voltage greater than specified can result in **SERIOUS INJURY** to the user - as well as damage the machine. If in doubt **DO NOT PLUG IN THE TOOL**. Using a power source with voltage less than the nameplate is harmful to the motor.

## 1. KNOW YOUR MACHINE

Read and understand the owners manual and labels affixed to the machine. Learn its application and limitations as well as its specific potential hazards.

## 2. GROUND THE MACHINE.

This machine is equipped with an approved 3-conductor cord and a 3-prong grounding type plug to fit the proper grounding type receptacle. The green conductor in the cord is the grounding wire. **NEVER** connect the green wire to a live terminal.

## 3. KEEP GUARDS IN PLACE.

Keep in good working order, properly adjusted and aligned.

## 4. REMOVE ADJUSTING KEYS AND WRENCHES.

Form habit of checking to see that keys and adjusting wrenches are removed from the machine before turning it on.

## 5. KEEP WORK AREA CLEAN.

Cluttered areas and benches invite accidents. Make sure the floor is clean and not slippery due to wax and dust build-up.

## 6. AVOID DANGEROUS ENVIRONMENT.

Don't use machinery in damp or wet locations or expose them to rain. Keep work area well lit and provide adequate surrounding work space.

## 7. KEEP CHILDREN AWAY.

All visitors should be kept a safe distance from work area.

## 8. MAKE WORKSHOP CHILD-PROOF.

Use padlocks, master switches or remove starter keys.

## 9. USE PROPER SPEED.

A machine will do a better and safer job when operated at the proper speed.

## 10. USE RIGHT TOOL.

Don't force the machine or the attachment to do a job for which it was not designed.

## 11. WEAR PROPER APPAREL.

Do not wear loose clothing, gloves, neckties or jewelry (rings, watch) because they could get caught in moving parts. Non-slip

footwear is recommended. Wear protective hair covering to contain long hair. Roll up long sleeves above the elbows.

## 12. ALWAYS WEAR SAFETY GLASSES.

Always wear safety glasses (ANSI Z87.1). Everyday eyeglasses only have impact resistant lenses, they are **NOT** safety glasses. Also use a face or dust mask if cutting operation is dusty.

## 13. DON'T OVERREACH.

Keep proper footing and balance at all times.

## 14. MAINTAIN MACHINE WITH CARE.

Keep machine clean for best and safest performance. Follow instructions for lubricating and changing accessories.

## 15. DISCONNECT MACHINE.

Before servicing, when changing accessories or attachments.

## 16. AVOID ACCIDENTAL STARTING.

Make sure the switch is in the "OFF" position before plugging in.

## 17. USE RECOMMENDED ACCESSORIES.

Consult the manual for recommended accessories. Follow the instructions that accompany the accessories. The use of improper accessories may cause hazards.

## 18. NEVER STAND ON TOOL.

Serious injury could occur if the machine tips over. Do not store materials such that it is necessary to stand on the machine to reach them.

## 19. CHECK DAMAGED PARTS.

Before further use of the machine, a guard or other parts that are damaged should be carefully checked to ensure that they will operate properly and perform their intended function. Check for alignment of moving parts, breakage of parts, mounting, and any other conditions that may affect its operation. A guard or other parts that are damaged should be properly repaired or replaced.

## 20. NEVER LEAVE MACHINE RUNNING UNATTENDED.

Turn power "OFF". Don't leave any machine running until it comes to a complete stop.

## SPECIFIC SAFETY INSTRUCTIONS

**WARNING:** To reduce the risk of fire, electric shock or injury:

1) Read and understand this instruction manual and all the labels on the metal dust collector before operating. Use only as described in this manual. To avoid personal injury or damage to your metal dust collector, use only recommended accessories.

To avoid fire or explosion:

2) Do not use this metal dust collector near flammable or combustible liquids, gases, gasoline or other fuels, lighter fluid, cleaners, oil-based paints, natural gas, hydrogen, or explosive dusts like coal dust, magnesium dust, grain dust or gun powder.

3) Do not vacuum anything that is burning or smoking, such as cigarettes, matches or hot ashes.

4) To avoid health hazards from vapors and dust, do not vacuum toxic materials.

5) Do not use or store near hazardous materials.

6) Do not use outdoors or on wet surfaces.

7) Place metal dust collector on a stable, level surface.

8) Keep hoses and electric cord out of traffic areas.

9) To avoid all risks of fire, do not mix aluminum filings with steel filings. Empty the collection drawer before collecting any different materials.

# ELECTRICAL INFORMATION



## WARNING

ALL ELECTRICAL CONNECTIONS MUST BE DONE BY A QUALIFIED ELECTRICIAN. FAILURE TO COMPLY MAY RESULT IN SERIOUS INJURY! ALL ADJUSTMENTS OR REPAIRS MUST BE DONE WITH THE EDGE SANDER DISCONNECTED FROM THE POWER SOURCE. FAILURE TO COMPLY MAY RESULT IN SERIOUS INJURY!

## POWER SUPPLY

**WARNING:** YOUR METAL DUST COLLECTOR MUST BE CONNECTED TO A 220V, 15-AMP. MINIMUM BRANCH CIRCUIT. FAILURE TO CONNECT IN THIS WAY CAN RESULT IN INJURY FROM SHOCK OR FIRE.

## GROUNDING

This Metal Dust Collector must be grounded. If it should malfunction or breakdown, grounding provides a path of least resistance for electric current, to reduce the risk of electric shock. This Metal Dust Collector is equipped with a cord having an equipment-grounding conductor. Once a plug is installed, the plug must be plugged into an appropriate outlet that is properly installed and grounded in accordance with all local codes and ordinances.

**WARNING:** TO MAINTAIN PROPER GROUNDING OF METAL DUST COLLECTOR, DO NOT REMOVE OR ALTER THE PLUG OR GROUNDING PRONG IN ANY MANNER.

Not all outlets are properly grounded. If you are not sure if your outlet is properly grounded, have it checked by a qualified electrician.

**WARNING:** IF NOT PROPERLY GROUNDING, THIS METAL DUST COLLECTOR CAN CAUSE ELECTRICAL SHOCK, PARTICULARLY WHEN USED IN DAMP LOCATIONS. TO AVOID SHOCK OR FIRE, IF THE POWER CORD IS WORN OR DAMAGED IN ANY WAY, HAVE IT REPLACED IMMEDIATELY.

## 220V OPERATION

As received from the factory, your Metal Dust Collector is ready to run for 220V operation. This machine is intended for use on a circuit that has an outlet and a plug which looks like the one illustrated in Fig.1.

## EXTENSION CORDS

**WARNING!** IT IS NOT RECOMMENDED TO USE AN EXTENSION CORD, BUT IF IT IS NECESSARY, READ THE FOLLOWING.

The use of any extension cord will cause some loss of power. Depending on the length of extension cord needed, use the table (Fig.2) to determine the minimum wire gauge (A.W.G-American Wire Gauge). Use only 3-wire extension cords which have 3-prong grounding type plugs and 3-hole receptacles which accept the tool's plug.

For circuits that are further away from the electrical circuit box, the wire thickness must be increased proportionately in order to deliver ample voltage to the Metal Dust Collector motor. The smaller the gauge of the extension cord, the thicker it will be in diameter. Refer to Fig.2 for wire length and size.

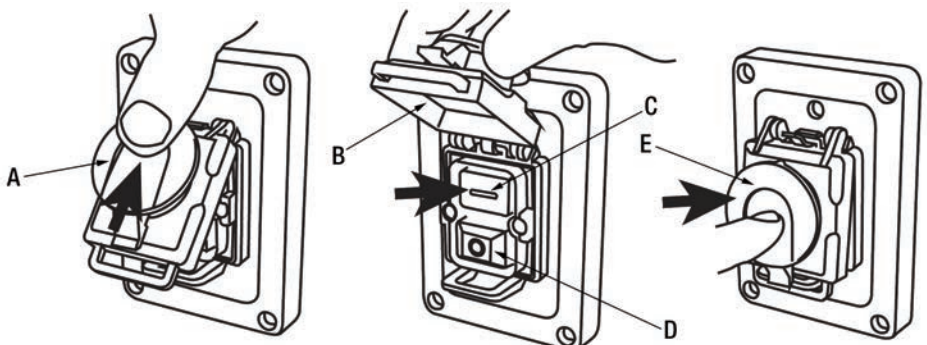


FIGURE 3

## TURNING THE METAL DUST COLLECTOR ON/OFF

This Metal Dust Collector comes with a 2 step activation safety switch, refer to Fig.3, which starts and stops the machine.

To turn the Metal Dust Collector on;

1. Push up on the emergency stop button (A) Fig.3 and lift the switch cover (B) upwards as shown.
2. Press the green On button (C) to start the Metal Dust Collector.
3. To stop the Metal Dust Collector, you can either press the red Off button (D) or lower the switch cover and push the large emergency stop button (E).

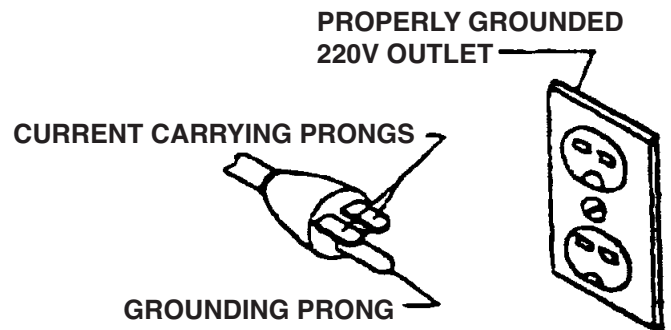


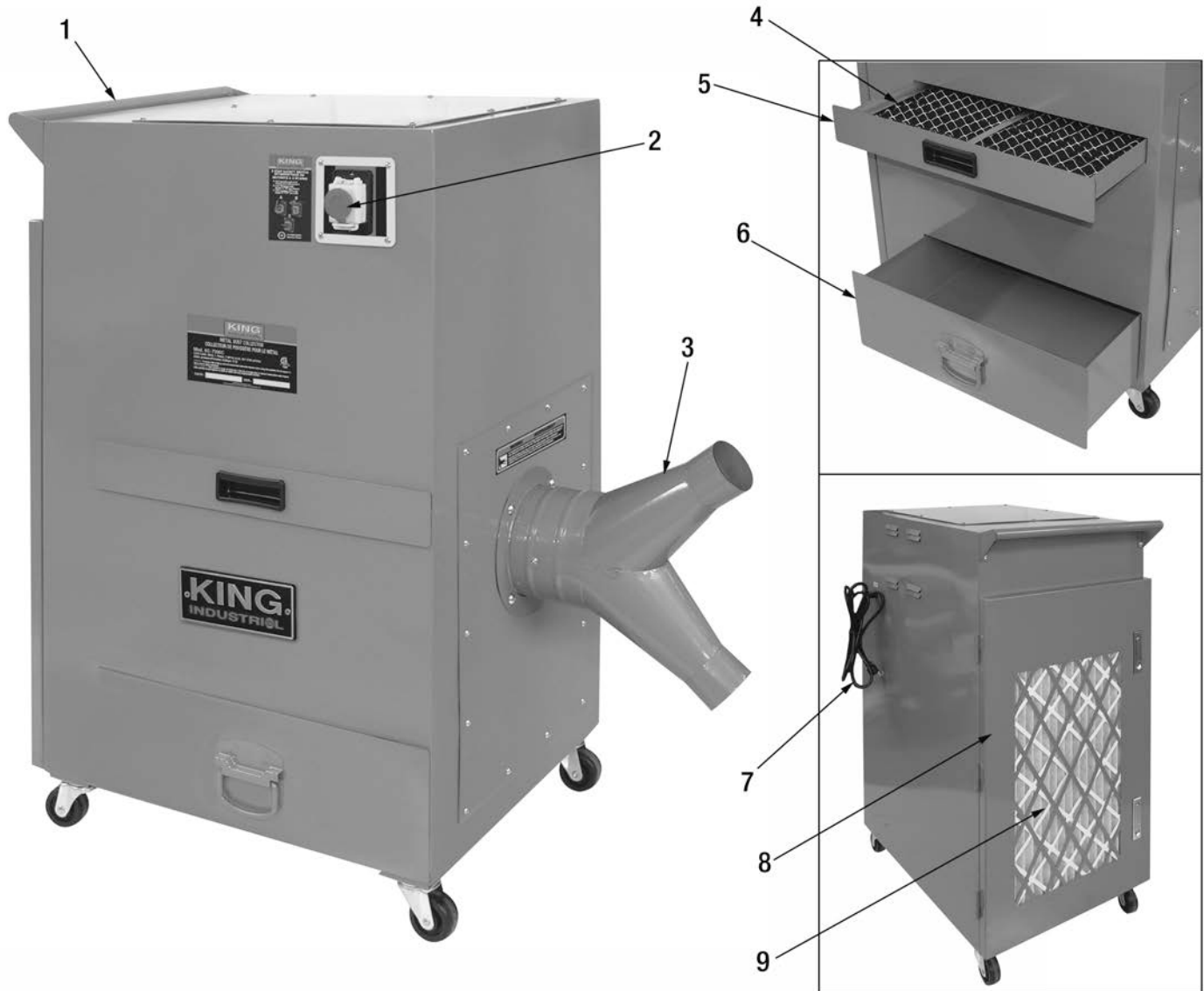
FIGURE 1

LENGTH OF EXTENSION CORD	WIRE GAUGE REQUIRED (AMERICAN WIRE GAUGE) 220V LINES
0-25 FEET	NO.16
26-50 FEET	NO.14
51-100 FEET	NO.12

FIGURE 2



# GETTING TO KNOW YOUR METAL DUST COLLECTOR



- 1) Handle.
- 2) On/Off safety switch.
- 3) 6" Inlet with two 3" dust inlets adaptor.
- 4) Iron activated carbon filter.
- 5) Drawer for iron activated carbon filter.

- 6) Dust collection drawer.
- 7) 220V Power cord.
- 8) Paper filter access door.
- 9) Large paper filter.

## SPECIFICATIONS

MODEL	KC-7300C
Maximum air suction capacity	937 CFM
Static pressure (inch of water)	9.32
Noise level reading at 60"	81 dB
Filter sizes (paper/carbon)	19-3/8" x 15-3/8" x 7/8" & 25" x 16" x 1"
Filter efficiency	99% @ 5 microns
Dust port inlet/Y adaptor inlets size	6" / 2 x 3"
Motor	2 HP, 9 Amp.
Voltage	220V, 1 phase, 60 Hz
Assembled dimensions (LxWxH)/weight	40-1/4" x 22-1/2" x 43-3/4" / 222 lbs
Package dimensions (LxWxH)/weight	28-1/2" x 24" x 40-1/2" / 225 lbs

# ASSEMBLY & SETUP



## UNPACKING AND SETTING UP YOUR METAL DUST COLLECTOR

Warning! This Metal Dust Collector weighs 225 lbs, use material handling equipment when moving and removing Metal Dust Collector from its carton. It is recommended to obtain help from another person to lift and setup this Metal Dust Collector. Once unpacked, remove all loose items inside the bottom collection drawer. This Metal Dust Collector must be placed on a flat and even floor capable of supporting the machine weight.

## INSTALLING CASTER WHEELS TO CABINET

- 1) Place the Metal Dust Collector cabinet on its side, install the 4 caster wheels (A) Fig.4 to the bottom of the cabinet (B) using 4 flange head hex. bolts (C) to secure each caster wheel.
- 2) Once all 4 caster wheels are installed and secure, lift and position the Metal Dust Collector onto its caster wheels.

**Note:** It is recommended to obtain help from another person to lift the Metal Dust Collector onto its caster wheels.

## INSTALLING HANDLE TO CABINET

- 1) Install the handle (A) Fig.5 to the cabinet (B) as shown, install the handle using 4 large round head allen screws (C).

## INSTALLING 6" INLET AND INLET ADAPTOR TO CABINET

- 1) Install the 6" inlet (A) Fig.6 and the 6" inlet gasket (not visible in the image) to the opening in the cabinet using 4 large round head allen screws (C).

- 2) Install the inlet adaptor (A) Fig.7 over the 6" inlet (B). Line up the threaded hole of the 6" inlet with the hole in the adaptor. Secure the inlet adaptor using a flange pan head screw (C).

## INSTALLING INLET END CAP

- 1) Attach the inlet end cap chain (D) Fig.7 to the inlet adaptor ring (E) on the inlet adaptor (A). Install inlet end cap (F) to one of the inlets.

**Important:** For maximum efficiency, always install the inlet end cap on any unused inlet.

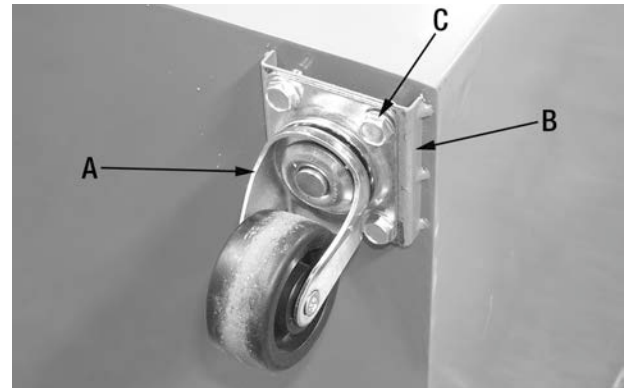


FIGURE 4

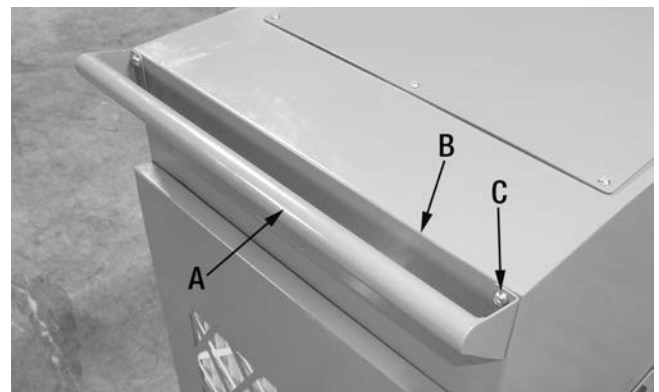


FIGURE 5

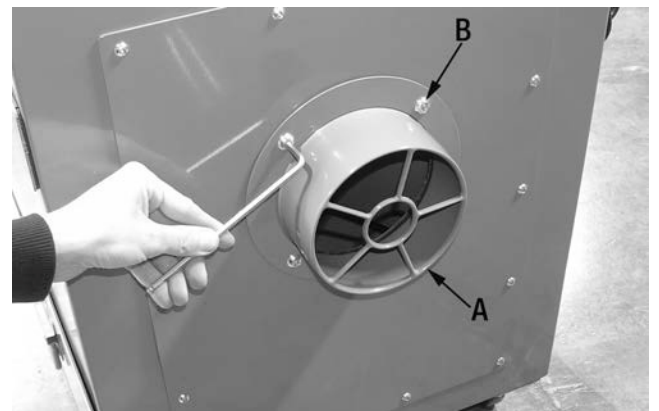


FIGURE 6

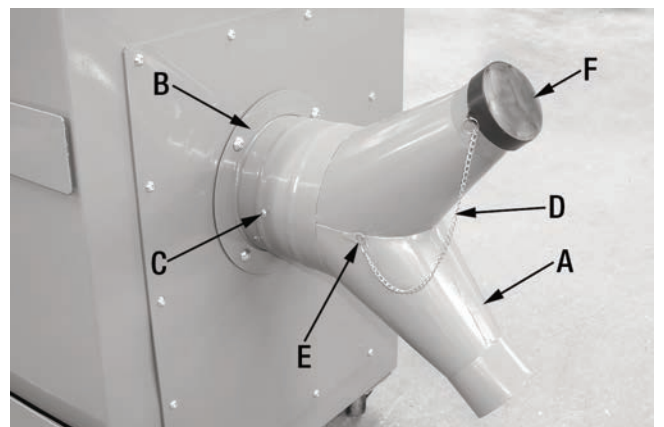


FIGURE 7



# OPERATION & MAINTENANCE

## OPERATIONAL AND SAFETY GUIDELINE

1. Fine particulate dust is a carcinogen that can be hazardous to health. Work in a well-ventilated area and wear face, eye, ear, respiratory and body protection devices.
2. Do not insert hands, fingers or any foreign objects into ventilation inlet openings.
3. Do not operate this machine without all filters properly installed.
4. Clean filters on a regular basis and replace as needed.
5. Do not use this unit outdoors, on or near wet surfaces.
6. Always turn on the dust collector before starting the dust producing machine. Always turn off the dust producing machine before turning off the dust collector.
7. Do not vacuum glass, water or anything that is burning, smoking or smoldering such as cigarettes, matches or hot ashes.
8. Do not vacuum or use this dust collector near flammable or combustible liquids, gases, gasoline or other fuels, lighter fluid, cleaners, oil or solvent based paints, natural gas, hydrogen or explosive dusts like coal dust, magnesium dust, grain dust or gun powder.

## MAINTENANCE

### REPLACING FILTERS

**WARNING! FINE PARTICLE DUST IN THE FILTERS CAN BE HAZARDOUS TO YOUR HEALTH. IT IS RECOMMENDED TO WEAR RESPIRATORY PROTECTION AND GLOVES BEFORE HANDLING THE FILTERS.**

#### Replacing the Iron Activated Carbon Filter

1. Open the Iron Activated Carbon Filter drawer (A) Fig.8 by pulling it out of the cabinet.
2. The Iron Activated Carbon Filter (B) is held in place with hook & loop strips, pull the Iron Activated Carbon Filter upwards to detach it from the drawer. Remove and replace filter. Replace the filter after 300 hours of operation or when the overall airflow is reduced, as this is a sign that the filter is permanently clogged.

**Note:** Replacement Iron Activated Carbon Filter, King model KM-113. Contact your nearest King Canada distributor for more information.

#### Cleaning/Replacing the Paper Filter

1. Open the side access door (A) Fig.9 by unlocking the two lock levers (B). Pull up on the lock lever and then turn it clockwise to unlock.
2. Remove paper filter (A) Fig.10 by lifting it upwards. The paper filter should be cleaned using low pressure air (blower or vacuum) every 35-40 hours of operation, or any time you notice a drop in the overall airflow. Replace the paper filter after 300 hours of operation or when the overall airflow is reduced, as this is a sign that the filter is permanently clogged.

**Note:** Replacement Paper Filter, King model KM-112. Contact your nearest King Canada distributor for more information.

### EMPTYING THE COLLECTION DRAWER

1. A collection drawer (A) Fig.11 inside the cabinet collects all the metal dust. The collection drawer must be checked and emptied regularly. This machine operates at a much higher level of efficiency when the collection drawer is empty. Pull the collection drawer out using the handle shown, empty the collection drawer and slide it back in position.

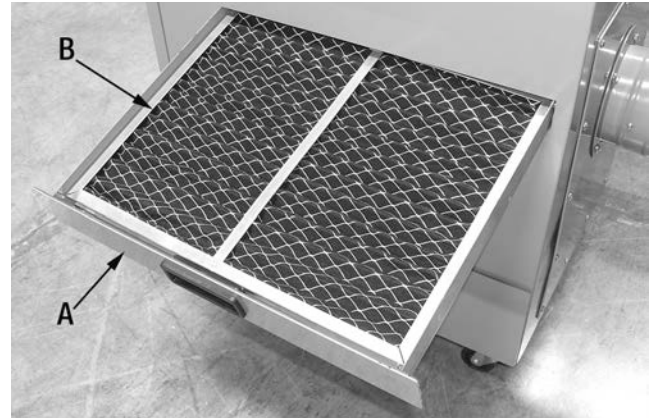


FIGURE 8

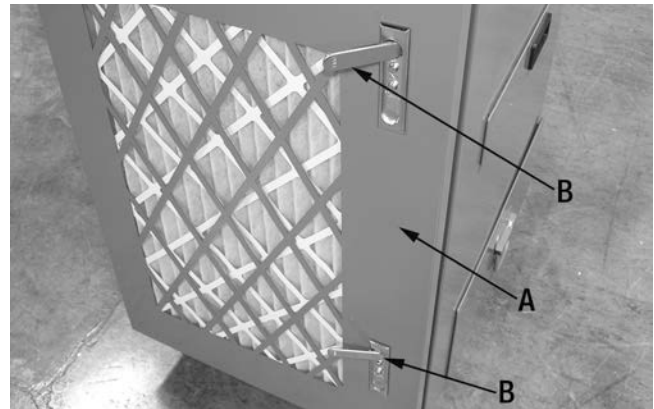


FIGURE 9



FIGURE 10



FIGURE 11