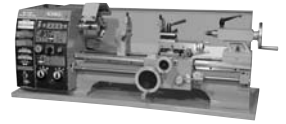


Service Manual / Manuel de Service



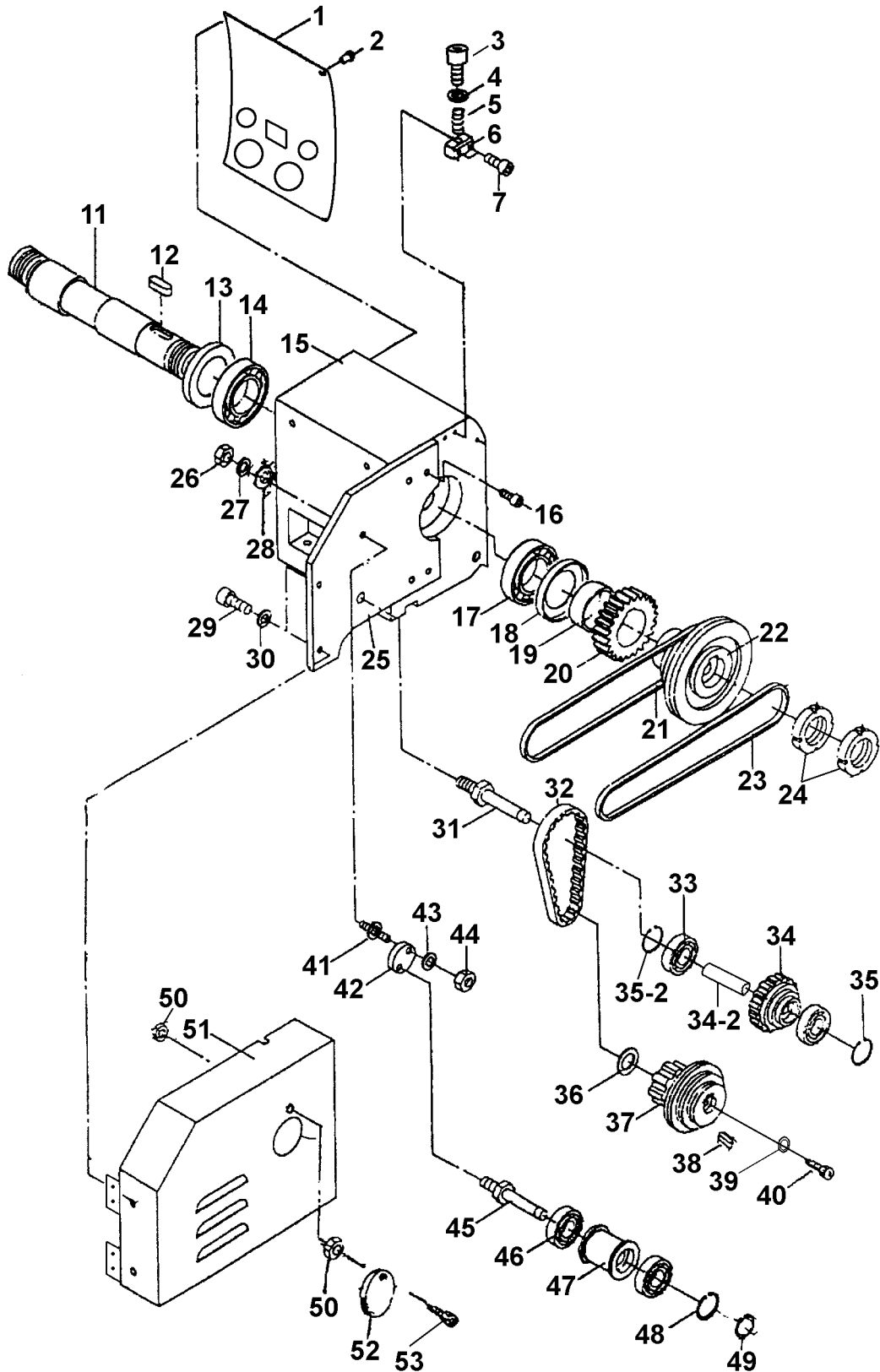
10" x 22" Metal Lathe Tour à Métal 10" x 22"



Revised/Revisé 10/2008

Headstock Diagram / Diagramme de la Tête

KC-1022ML





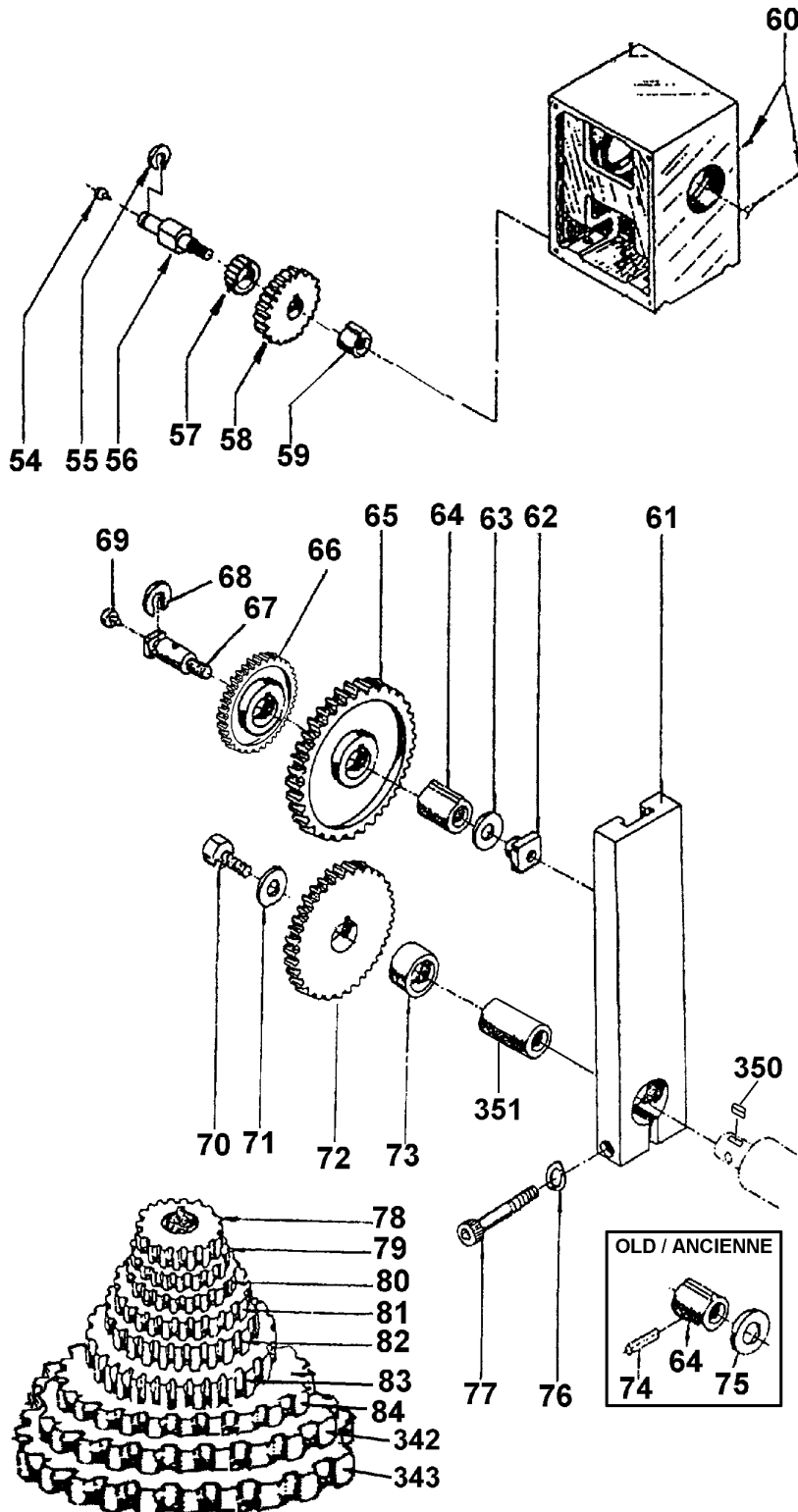
10" x 22" Metal Lathe Tour à Métal 10" x 22"



Revised/Revisé 10/2008

Gear Box 1 & Change Gears Diagram / Diagramme du Boîtier D'Engrenage 1 et des Engrenages de Changement

KC-1022ML





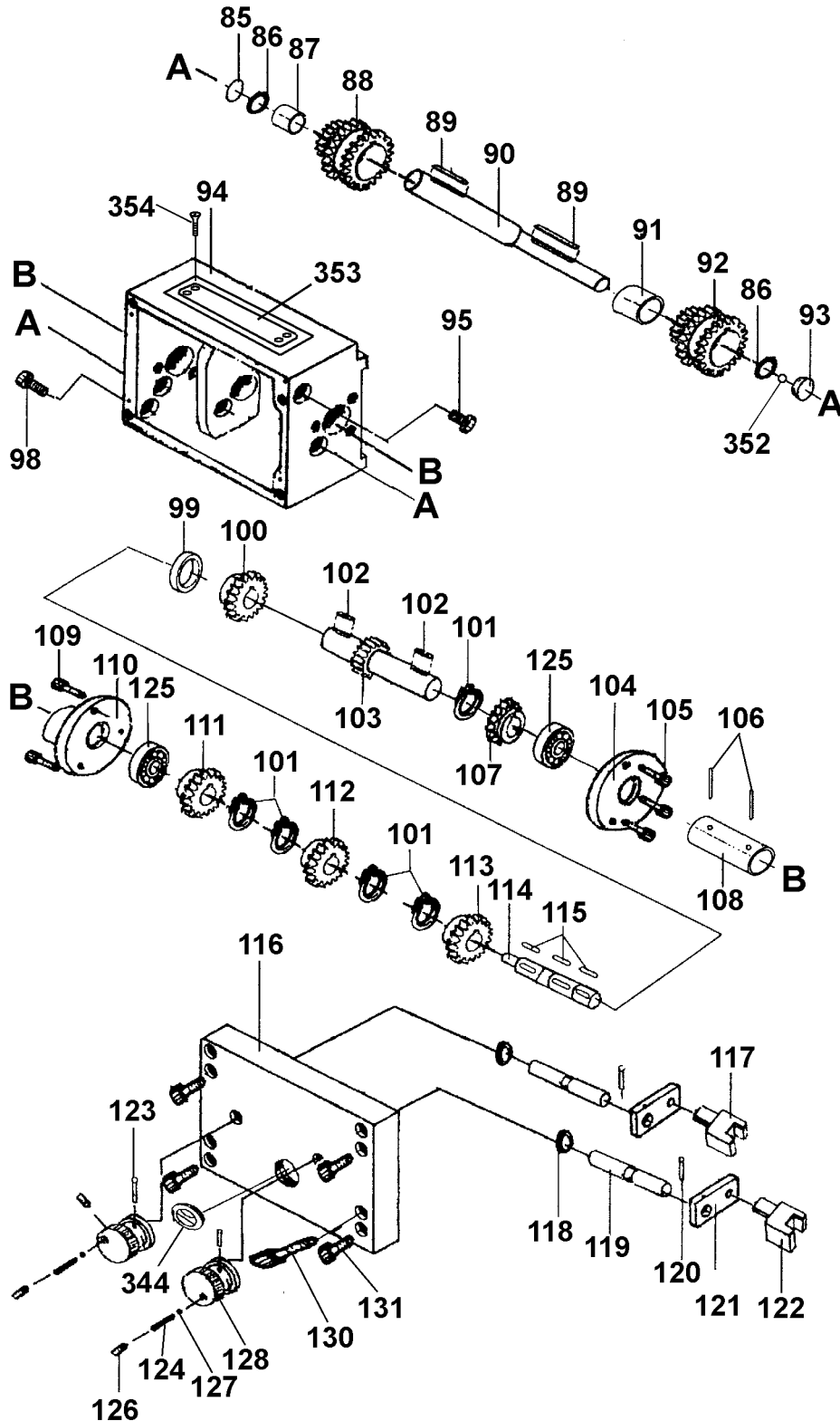
10" x 22" Metal Lathe Tour à Métal 10" x 22"



Revised/Revisé 10/2008

Gear Box 2 Diagram / Diagramme du Boîtier D'Engrenage 2

KC-1022ML



Service Manual / Manuel de Service



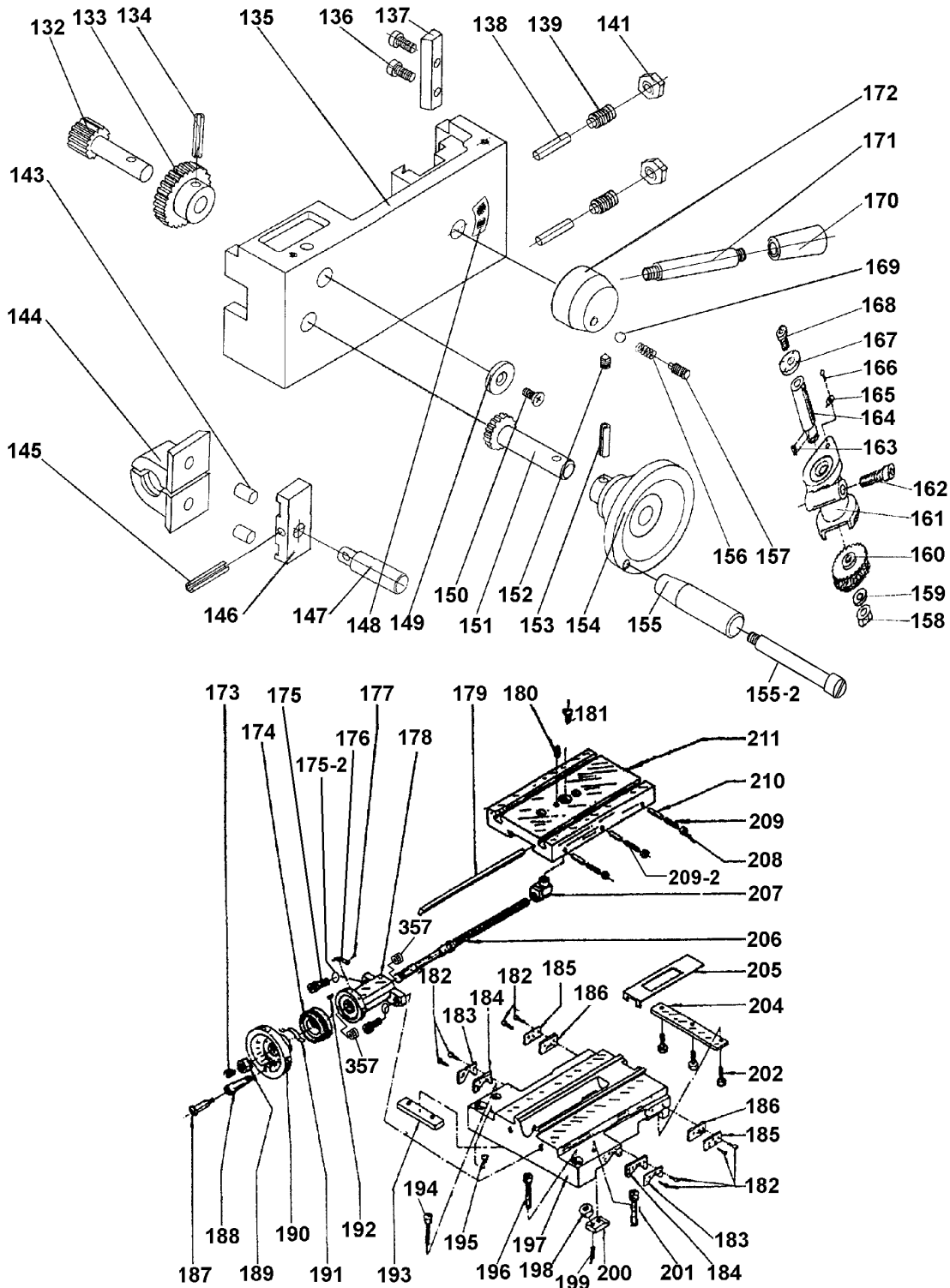
10" x 22" Metal Lathe Tour à Métal 10" x 22"



Revised/Revisé 10/2008

Carriage, Saddle & Cross Slide Diagram / Diagramme du Boîtier du Tablier, Selle et du Chariot Transversal

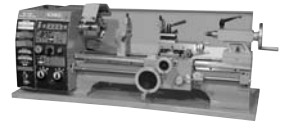
KC-1022ML





Service Manual / Manuel de Service

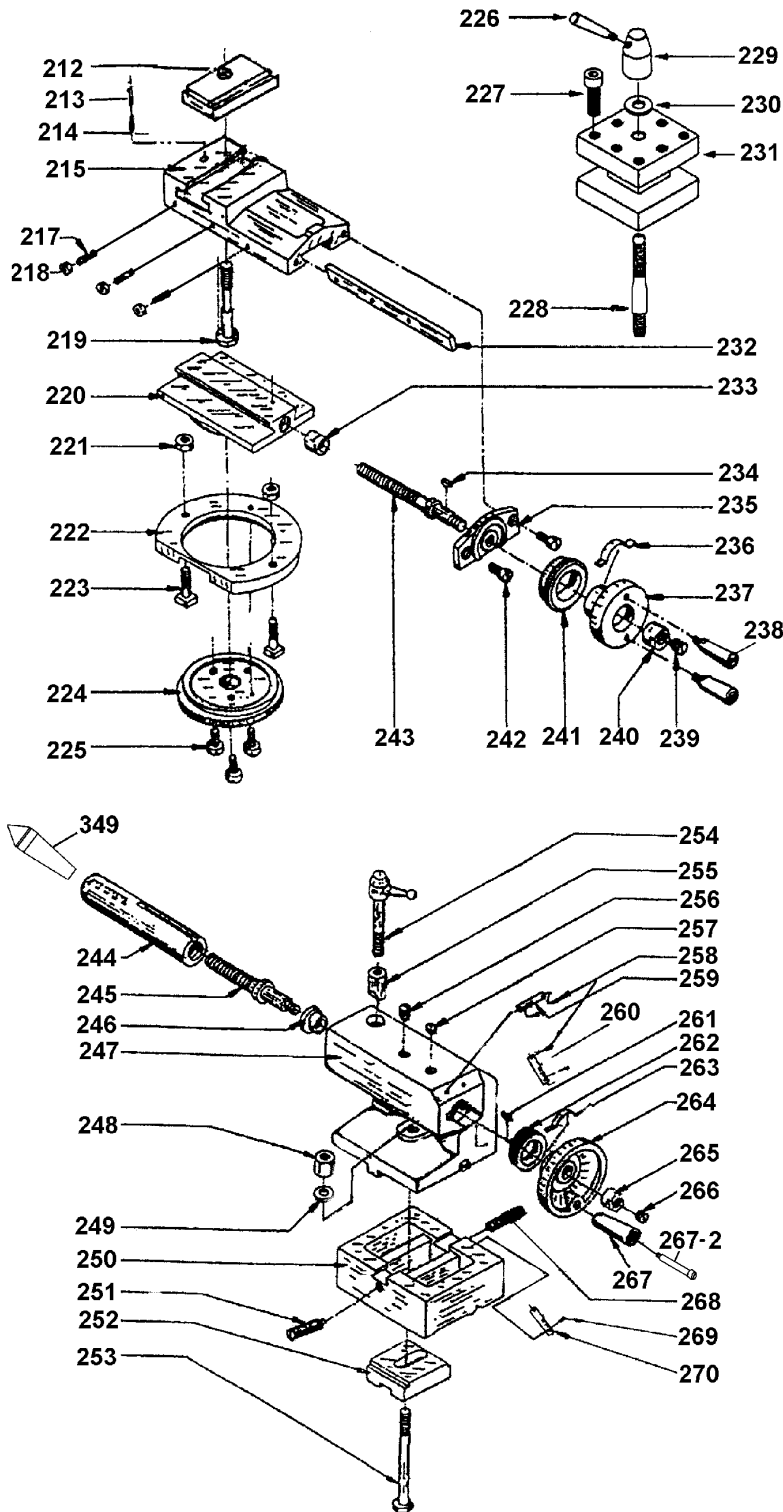
10" x 22" Metal Lathe Tour à Métal 10" x 22"



Revised/Revisé 10/2008

Top Slide, Tool Post & Tailstock Diagram / Diagramme du Chariot Supérieur, Porte-Outil et de la Poupée

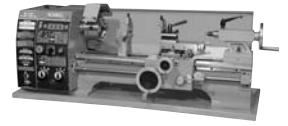
KC-1022ML



Service Manual / Manuel de Service



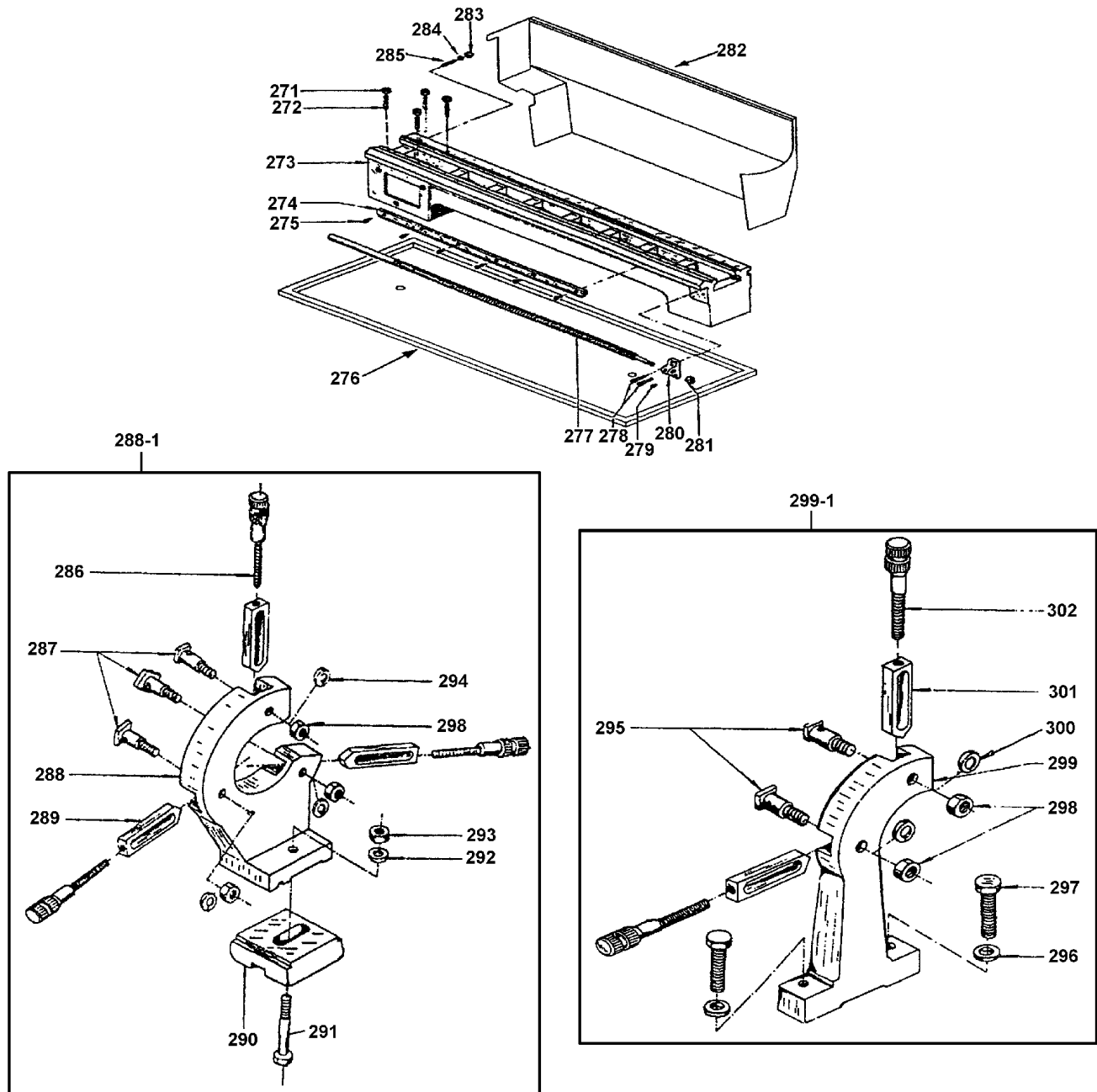
10" x 22" Metal Lathe Tour à Métal 10" x 22"



Revised/Revisé 10/2008

Bed, Steady & Follow Rest Diagram / Diagramme du Lit et des Lunettes Mobile et Fixe

KC-1022ML





Service Manual / Manuel de Service

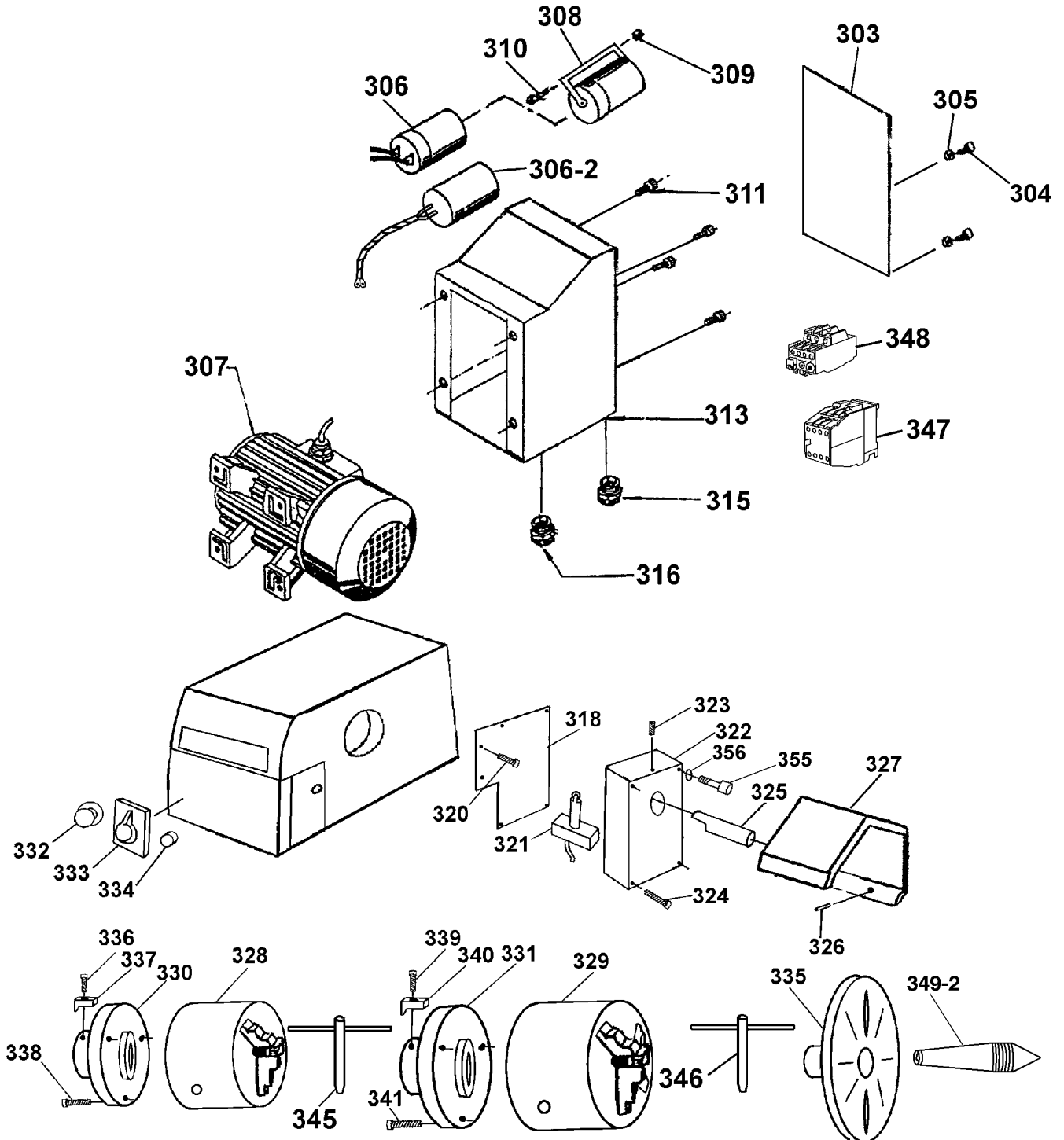
10" x 22" Metal Lathe Tour à Métal 10" x 22"



Revised/Revisé 10/2008

Motor, Chucks, Switches & Chuck Safety Guard Diagram / Diagramme du Moteur, Mandrins, Interrupteurs et du Protège-Mandrin

KC-1022ML





® Parts Pricing List / Liste de Prix des Pièces KC-1022ML

Diag.	Order # Com.	English Description	Description Française	Qty./Qté.	Price/Prix
1	6410220010	FRONT PLATE	PLAQUE FRONTALE	1	\$50.43
2	6410220020	PAN HD SCREW	VIS A TETE BOMBEE	10	\$1.55
3	6410220030	CAP SCREW	BOULON A TETE CYLINDRIQUE	1	\$2.70
4	6410220040	WASHER	RONDELLE	1	\$1.55
5	6410220050	SPRING	RESSORT	1	\$1.78
6	6410220060	CLAMP PIECE	PIECE DE CRAMPONNEMENT	1	\$5.00
7	6410220070	CAP SCREW	BOULON A TETE CYLINDRIQUE	2	\$2.70
11	6410220110	SPINDLE	ARBRE	1	\$274.85
12	6410220120	KEY	CLE DE RETENUE	1	\$3.28
13	6410220130	BEARING COVER	COUVERCLE DU ROULEMENT	1	\$19.49
14	6410220140	TAPER ROLLER BEARING	ROULEMENT A BILLES CONIQUE	1	\$84.81
15	6410220150	HEADSTOCK	TETE	1	\$500.25
16	6410220160	CAP SCREW	BOULON A TETE CYLINDRIQUE	4	\$1.84
17	6410220170	TAPER ROLLER BEARING	ROULEMENT A BILLES CONIQUE	1	\$84.81
18	6410220180	BEARING COVER	COUVERCLE DU ROULEMENT	1	\$19.49
19	6410220190	SPACER	ESPACEUR	1	\$21.79
20	6410220200	PLASTIC GEAR -40T	ENGRENAGE EN PLASTIQUE -40D	1	\$36.51
21	6410220210	V-BELT	COURROIE EN V	1	\$14.55
22	6410220220	PULLEY	POULIE	1	\$110.11
23	6410220230	V-BELT	COURROIE EN V	1	\$12.59
24	6410220240	LOCK NUT	ECROU DE VERROUILLAGE	2	\$7.53
25	6410220250	BRACKET PLATE	PLAQUE DE SUPPORT	1	\$86.08
26	6410220260	HEX. NUT	ECROU HEXAGONAL	1	\$1.73
27	6410220270	SPRING WASHER	RONDELLE A RESSORT	1	\$1.55
28	6410220280	WASHER	RONDELLE	1	\$1.67
29	6410220290	CAP SCREW	BOULON A TETE CYLINDRIQUE	4	\$1.78
30	6410220300	WASHER	RONDELLE	4	\$1.50
31	6410220310	THREADED SHAFT	TIGE FILETEE	1	\$27.43
32	6410220320	TIMING TOOTH BELT	COURROIE POUR REGLAGE	1	\$38.81
33	6410220330	BALL BEARING	ROULEMENT A BILLES	2	\$13.74
34	6410220340	PULLEY/GEAR	POULIE/ENGRENAGE	1	\$87.00
34-2	6410220342	SPACER	ESPACEUR	1	\$9.14
35	6410220350	RETAINING RING/SHAFT	ANNEAU DE RETENU/TIGE	1	\$1.55
35-2	6410220352	RETAINING RING/BORE	ANNEAU DE RETENU/ALESAGE	1	\$2.24
36	6410220360	WASHER	RONDELLE	1	\$1.78
37	6410220370	PULLEY/GEAR	POULIE/ENGRENAGE	1	\$80.44
38	6410220380	KEY	CLE DE RETENUE	1	\$2.13
39	6410220390	SPECIAL WASHER	RONDELLE SPECIALE	1	\$2.59
40	6410220400	CAP SCREW	BOULON A TETE CYLINDRIQUE	1	\$2.24
41	6410220410	THREADED SHAFT	TIGE FILETEE	1	\$3.28
42	6410220420	BRACKET	SUPPORT	1	\$7.88
43	6410220430	WASHER	RONDELLE	1	\$1.67
44	6410220440	HEX. NUT	ECROU HEXAGONAL	1	\$1.73
45	6410220450	THREADED SHAFT	TIGE FILETEE	1	\$32.83
46	6410220460	BALL BEARING	ROULEMENT A BILLES	2	\$13.74
47	6410220470	ROLLER	ROULEAU	1	\$21.68
48	6410220480	RETAINING RING/BORE	ANNEAU DE RETENU/ALESAGE	2	\$2.59

Pricing subject to change without prior notice. / Prix sujet à changement sans préavis.



® Parts Pricing List / Liste de Prix des Pièces KC-1022ML

Diag.	Order # Com.	English Description	Description Française	Qty./Qté.	Price/Prix
49	6410220490	RETAINING RING/SHAFT	ANNEAU DE RETENU/TIGE	1	\$1.55
50	6410220500	HEX. NUT	ECROU HEXAGONAL	2	\$1.55
51	6410220510	BELT COVER	COUVERCLE DES COURROIES	1	\$113.56
52	6410220520	COVER	COUVERCLE	1	\$5.58
53	6410220530	PAN HD SCREW	VIS A TETE BOMBEE	1	\$1.55
54	6410220540	OIL FEEDER	HUILIER	1	\$3.39
55	6410220550	RETAINING RING / "E"	ANNEAU DE RETENU / "E"	1	\$1.55
56	6410220560	SHAFT	TIGE	1	\$25.01
57	6410220570	GEAR -27T	ENGRENAGE -27T	1	\$29.84
58	6410220580	PLASTIC GEAR -60T	ENGRENAGE EN PLASTIQUE -60T	1	\$44.56
59	6410220590	BUSHING/KEY	BAGUE/CLE	1	\$13.74
60	6410220600	SET SCREW	VIS SANS TETE	2	\$1.55
61	6410220610	BRACKET	SUPPORT	1	\$45.60
62	6410220620	SQUARE T-NUT	ECROU CARRE EN "T"	1	\$7.99
63	6410220630	WASHER	RONDELLE	1	\$1.67
64	6410220640	BUSHING/KEY	BAGUE/CLE	2	\$13.74
65	6410220650	GEAR -127T	ENGRENAGE -127D	1	\$83.95
66	6410220660	GEAR -56T	ENGRENAGE -56D	1	\$68.83
67	6410220670	SQUARE HEAD SHAFT	TIGE A TETE CARREE	1	\$16.04
68	6410220680	SPECIAL RETAINING RING	ANNEAU DE RETENU SPECIAL	1	\$3.28
69	6410220690	OIL FEEDER	HUILIER	1	\$3.39
70	6410220700	CAP SCREW	BOULON A TETE CYLINDRIQUE	1	\$1.67
71	6410220710	SPECIAL WASHER	RONDELLE SPECIALE	1	\$2.59
72	6410220720	GEAR -104T	ENGRENAGE -104D	1	\$101.83
73	6410220730	SPACER RING	ANNEAU ESPACEUR	1	\$10.29
74	6410220740	KEY	CLE DE RETENUE	1	\$2.24
75	6410220750	BUSHING	BAGUE	1	\$2.13
76	6410220760	SPRING WASHER	RONDELLE A RESSORT	1	\$1.67
77	6410220770	CAP SCREW	BOULON A TETE CYLINDRIQUE	1	\$2.59
78	6410220780	GEAR -36T	ENGRENAGE -36D	1	\$45.94
79	6410220790	GEAR -40T	ENGRENAGE -40D	1	\$52.61
80	6410220800	GEAR -45T	ENGRENAGE -45D	1	\$61.70
81	6410220810	GEAR -60T	ENGRENAGE -60D	1	\$67.79
82	6410220820	GEAR -52T	ENGRENAGE -52D	1	\$65.38
83	6410220830	GEAR -44T	ENGRENAGE -44D	1	\$57.10
84	6410220840	GEAR -46T	ENGRENAGE -46D	1	\$61.81
85	6410220850	PLUG	BOUCHON	1	\$3.39
86	6410220860	O-RING	JOINT D'ETANCHEITE	2	\$3.05
87	6410220870	OIL BEARING	ROULEMENT A HUILE	1	\$20.53
88	6410220880	TRIPLE GEAR (30T/36T/33T)	ENGRENAGE A 3 NIVEAUX (30D/36D/33D)	1	\$103.21
89	6410220890	KEY	CLE DE RETENUE	2	\$2.24
90	6410220900	SHAFT FOR GEAR	TIGE POUR ENGRENAGE	1	\$41.11
91	6410220910	OIL BEARING	ROULEMENT A HUILE	1	\$21.33
92	6410220920	TRIPLE GEAR (22T/44T/33T)	ENGRENAGE A 3 NIVEAUX (22D/44D/33D)	1	\$103.44
93	6410220930	PLUG	BOUCHON	1	\$3.39
94	6410220940	GEAR BOX	BOITIER D'ENGRENAGE	1	\$143.75
95	6410220950	OIL PLUG	BOUCHON POUR HUILE	1	\$3.39

Pricing subject to change without prior notice. / Prix sujet à changement sans préavis.



® Parts Pricing List / Liste de Prix des Pièces KC-1022ML

Diag.	Order # Com.	English Description	Description Française	Qty./Qté.	Price/Prix
98	6410220980	DRAIN PLUG	BOUCHON DE DRAINAGE	1	\$3.39
99	6410220990	BRONZE COLLAR	COLLIER EN BRONZE	1	\$5.69
100	6410221000	GEAR -44T	ENGRENAGE -44D	1	\$45.83
101	6410221010	RETAINING RING/SHAFT	ANNEAU DE RETENU/TIGE	5	\$2.13
102	6410221020	KEY	CLE DE RETENUE	2	\$1.78
103	6410221030	GEAR SHAFT -22T	TIGE ENGRENAGE -22D	1	\$52.73
104	6410221040	FLANGE	BRIDE	1	\$45.71
105	6410221050	SCREW	VIS	3	\$1.73
106	6410221060	PIN	GOUPILLE	2	\$2.24
107	6410221070	GEAR -33T	ENGRENAGE -33D	1	\$57.33
108	6410221080	COLLAR	COLLET	1	\$12.48
109	6410221090	CAP SCREW	BOULON A TETE CYLINDRIQUE	3	\$1.67
110	6410221100	FLANGE	BRIDE	1	\$54.45
111	6410221110	GEAR -45T	ENGRENAGE -45D	1	\$57.33
112	6410221120	GEAR -30T	ENGRENAGE -30D	1	\$59.51
113	6410221130	GEAR -33T	ENGRENAGE -33D	1	\$59.51
114	6410221140	SHAFT FOR GEAR	TIGE POUR L'ENGRENAGE	1	\$43.30
115	6410221150	KEY	CLE DE RETENUE	3	\$1.78
116	6410221160	FRONT COVER	COUVERCLE AVANT	1	\$74.46
117	6410221170	FORK	FOURCHETTE	1	\$14.66
118	6410221180	O-RING	JOINT D'ETANCHEITE	2	\$2.24
119	6410221190	SHAFT	TIGE	2	\$13.74
120	6410221200	PIN	GOUPILLE	2	\$2.01
121	6410221210	SHIFT LEVER	LEVIER DE CHANGEMENT	2	\$14.20
122	6410221220	FORK	FOURCHETTE	1	\$14.66
123	6410221230	SPRING PIN	GOUPILLE A RESSORT	2	\$2.13
124	6410221240	SPRING	RESSORT	2	\$2.59
125	6410221250	BALL BEARING	ROULEMENT A BILLES	2	\$11.10
126	6410221260	SET SCREW	VIS SANS TETE	2	\$1.67
127	6410221270	STEEL BALL	BILLE EN ACIER	2	\$3.16
128	6410221280	SHIFT HUB	MOYEU DE SELECTION	2	\$28.35
130	6410221300	CAP SCREW	BOULON A TETE CYLINDRIQUE	4	\$2.88
131	6410221310	CAP SCREW	BOULON A TETE CYLINDRIQUE	4	\$1.73
132	6410221320	GEAR SHAFT -12T	TIGE AVEC ENGRENAGE -12D	1	\$45.60
133	6410221330	GEAR -43T	ENGRENAGE -43D	1	\$29.73
134	6410221340	SPRING PIN	GOUPILLE RESSORT	1	\$2.24
135	6410221350	CAST IRON CARRIAGE	BOITIER DU TABLIER EN FONTE	1	\$159.85
136	6410221360	CAP SCREW	BOULON A TETE CYLINDRIQUE	2	\$2.01
137	6410221370	GIB	GLISSIERE	1	\$15.93
138	6410221380	PIN	GOUPILLE	2	\$2.82
139	6410221390	SET SCREW	VIS SANS TETE	2	\$1.78
141	6410221410	HEX. NUT	ECROU HEXAGONAL	2	\$1.55
143	6410221430	PIN	GOUPILLE	2	\$2.59
144	6410221440	INCH HALF NUT SET (2)	JEU DEMI-ECROU IMPERIAL (2)	2	\$68.71
145	6410221450	SPRING PIN	GOUPILLE A RESSORT	1	\$2.59
146	6410221460	LOCKING CAM	CAME DE VERROUILLAGE	1	\$19.15
147	6410221470	SHAFT	TIGE	1	\$15.93

Pricing subject to change without prior notice. / Prix sujet à changement sans préavis.



® Parts Pricing List / Liste de Prix des Pièces KC-1022ML

Diag.	Order # Com.	English Description	Description Française	Qty./Qté.	Price/Prix
148	6410221480	INDICATING PLATE	PLAQUE D'IDENTIFICATION	1	\$3.85
149	6410221490	SPECIAL WASHER	RONDELLE SPECIALE	1	\$2.93
150	6410221500	COUNTERSUNK SCREW	VIS A TETE FRAISEE	1	\$1.67
151	6410221510	GEAR SHAFT -22T	TIGE AVEC ENGRENAGE -22D	1	\$45.60
152	6410221520	SCREW	VIS	1	\$1.61
153	6410221530	SPRING PIN	GOUPILLE A RESSORT	1	\$1.78
154	6410221540	HANDWHEEL	MANIVELLE	1	\$57.21
155	6410221550	HANDLE	POIGNEE DE MANIVELLE	1	\$22.83
155-2	6410221552	SHOULDER SHAFT BOLT	BOULON TIGE A EPAULEMENT	1	\$10.18
156	6410221560	SPRING	RESSORT	1	\$2.70
157	6410221570	SET SCREW	VIS SANS TETE	1	\$1.67
158	6410221580	HEX. NUT	ECROU HEXAGONAL	1	\$1.61
159	6410221590	WASHER	RONDELLE	1	\$1.55
160	6410221600	WORM GEAR	ENGRENAGE SANS FIN	1	\$29.61
161	6410221610	THREAD DIAL BODY	CADRAN INDICATEUR	1	\$55.95
162	6410221620	CAP SCREW	BOULON A TETE CYLINDRIQUE	1	\$3.05
163	6410221630	KEY	CLE DE RETENUE	1	\$1.61
164	6410221640	SHAFT	TIGE	1	\$25.13
165	6410221650	POINTER	INDICATEUR	1	\$2.24
166	6410221660	RIVET	RIVET	1	\$1.78
167	6410221670	DIAL	CADRAN	1	\$17.08
168	6410221680	PAN HD SCREW	VIS A TETE BOMBEE	1	\$1.55
169	6410221690	STEEL BALL	BILLE EN ACIER	1	\$3.16
170	6410221700	LEVER KNOB	BOUTON DE LEVIER	1	\$6.84
171	6410221710	LEVER	LEVIER	1	\$8.45
172	6410221720	LEVER HUB	MOYEU DU LEVIER	1	\$14.20
173	6410221730	SET SCREW	VIS SANS TETE	1	\$1.90
174	6410221740	GRADUATED DIAL	CADRAN GRADUE	1	\$45.71
175	6410221750	CAP SCREW	BOULON A TETE CYLINDRIQUE	2	\$1.90
175-2	6410221752	WASHER	RONDELLE	2	\$1.55
176	6410221760	PLATE	PLAQUE	1	\$2.70
177	6410221770	RIVET	RIVET	2	\$1.78
178	6410221780	LEAD SCREW BRACKET	SUPPORT DE LA TIGE	1	\$52.73
179	6410221790	GIB	GLISSIERE	1	\$17.08
180	6410221800	SET SCREW	VIS SANS TETE	1	\$1.55
181	6410221810	CAP SCREW	BOULON A TETE CYLINDRIQUE	1	\$1.67
182	6410221820	PAN HD SCREW	VIS A TETE BOMBEE	8	\$1.55
183	6410221830	WIPER CLAMP	PLAQUE D'ATTACHE ANTI-DEBRIS	2	\$7.88
184	6410221840	WIPER	PLAQUE ANTI-DEBRIS	2	\$7.88
185	6410221850	WIPER COVER	PLAQUE D'ATTACHE ANTI-DEBRIS	2	\$6.15
186	6410221860	WIPER	PLAQUE ANTI-DEBRIS	2	\$7.88
187	6410221870	SPECIAL BOLT HANDLE	BOULON SPECIALE	1	\$3.74
188	6410221880	HANDLE	POIGNEE	1	\$4.43
189	6410221890	SPECIAL NUT	ECROU SPECIAL	1	\$2.70
190	6410221900	HANDWHEEL	MANIVELLE	1	\$55.83
191	6410221910	SPRING	RESSORT	1	\$3.16
192	6410221920	KEY	CLE DE RETENUE	1	\$1.50

Pricing subject to change without prior notice. / Prix sujet à changement sans préavis.



® Parts Pricing List / Liste de Prix des Pièces KC-1022ML

Diag.	Order # Com.	English Description	Description Française	Qty./Qté.	Price/Prix
193	6410221930	SLIDE BLOCK	BLOC COULISSANT	1	\$10.75
194	6410221940	CAP SCREW	BOULON A TETE CYLINDRIQUE	1	\$2.82
195	6410221950	OIL PORT	HUILIER	1	\$2.70
196	6410221960	CAP SCREW	BOULON A TETE CYLINDRIQUE	2	\$2.59
197	6410221970	SADDLE	SELLE	1	\$228.85
198	6410221980	HEX. NUT	ECROU HEXAGONAL	1	\$1.61
199	6410221990	STUDDER SET SCREW	VIS SANS TETE AVEC TIGE	1	\$1.78
200	6410222000	CLAMP	ATTACHE	1	\$5.69
201	6410222010	CAP SCREW	BOULON A TETE CYLINDRIQUE	1	\$2.70
202	6410222020	CAP SCREW	BOULON A TETE CYLINDRIQUE	3	\$2.24
204	6410222040	TENSION BAR	BARRE DE TENSION	1	\$18.80
205	6410222050	CHIP GUARD	PROTECTION ANTI-DEBRIS	1	\$11.33
206	6410222060	LEAD SCREW	TIGE SANS FIN	1	\$44.68
207	6410222070	CROSS SLIDE NUT	ECROU SPECIAL DE LA TIGE	1	\$16.39
208	6410222080	HEX. NUT	ECROU HEXAGONAL	3	\$1.55
209	6410222090	SET SCREW	VIS SANS TETE	2	\$1.78
209-2	6410222092	STUDDER SET SCREW	VIS SANS TETE AVEC TIGE	1	\$1.90
210	6410222100	PIN	GOUPILLE	3	\$1.90
211	6410222110	CROSS SLIDE	CHARIOT TRANSVERSAL	1	\$182.85
212	6410222120	PLATE	PLAQUE	1	\$27.43
213	6410222130	PIN	GOUPILLE	1	\$2.93
214	6410222140	SPRING	RESSORT	1	\$2.70
215	6410222150	TOP SLIDE	CHARIOT (HAUT)	1	\$205.85
217	6410222170	POINTED SET SCREW	VIS SANS TETE POINTUE	3	\$1.96
218	6410222180	HEX. NUT	ECROU HEXAGONAL	3	\$1.55
219	6410222190	TOOL POST STUD	TIGE DU PORTE-OUTIL	1	\$19.26
220	6410222200	SWIVEL BASE	BASE PIVOTANTE	1	\$194.35
221	6410222210	HEX. NUT	ECROU HEXAGONAL	2	\$1.67
222	6410222220	CLAMPING RING	ANNEAU DE PIVOTEMENT	1	\$37.78
223	6410222230	SQUARE HD BOLT	BOULON A TETE CARREE	2	\$4.43
224	6410222240	GRADUATED DIAL	CADRAN GRADUE	1	\$110.00
225	6410222250	CAP SCREW	BOULON A TETE CYLINDRIQUE	3	\$1.67
226	6410222260	LOCK HANDLE	POIGNEE DE VERROUILLAGE	1	\$8.45
227	6410222270	TOOL POST SPECIAL CAP SCREW	BOULON A TETE CYLINDRIQUE	8	\$4.20
228	6410222280	TOOL POST STUD	TIGE DE PORTE-OUTIL	1	\$15.58
229	6410222290	LOCK NUT	ECROU DE VERROUILLAGE	1	\$9.14
230	6410222300	SPECIAL WASHER	RONDELLE SPECIALE	1	\$1.73
231	6410222310	TOOL REST	PORTE-OUTIL	1	\$80.33
232	6410222320	GIB	GLISSIERE	1	\$17.65
233	6410222330	SLEEVE	MANCHON	1	\$6.73
234	6410222340	KEY	CLE DE RETENUE	1	\$1.55
235	6410222350	LEAD SCREW MOUNT	SUPPORT DE LA TIGE SANS FIN	1	\$54.80
236	6410222360	INDICATING PLATE	PLAQUE INDICATRICE	1	\$4.31
237	6410222370	HANDWHEEL	MANIVELLE	1	\$52.61
238	6410222380	HANDLE	POIGNEE	2	\$7.99
239	6410222390	SET SCREW	VIS SANS TETE	1	\$1.90
240	6410222400	THREADED COLLAR	COLLET FILETEE	1	\$10.29

Pricing subject to change without prior notice. / Prix sujet à changement sans préavis.



® Parts Pricing List / Liste de Prix des Pièces KC-1022ML

Diag.	Order # Com.	English Description	Description Française	Qty./Qté.	Price/Prix
241	6410222410	GRADUATED DIAL	CADRAN GRADUE	1	\$50.08
242	6410222420	CAP SCREW	BOULON A TETE CYLINDRIQUE	2	\$2.24
243	6410222430	LEAD SCREW	TIGE SANS FIN	1	\$38.47
244	6410222440	TAILSTOCK RAM (TAPER MT#3)	DAME DE LA POUPEE (CON. MT#3)	1	\$80.21
245	6410222450	LEAD SCREW	TIGE SANS FIN	1	\$33.98
246	6410222460	BUSHING	BAGUE	1	\$7.88
247	6410222470	TAILSTOCK BODY	BOITIER DE LA POUPEE	1	\$159.85
248	6410222480	HEX. NUT	ECROU HEXAGONAL	1	\$1.78
249	6410222490	WASHER	RONDELLE	1	\$1.67
250	6410222500	TAILSTOCK BASE	BASE DE LA POUPEE	1	\$113.56
251	6410222510	STUDDERED SET SCREW	VIS SANS TETE AVEC TIGE	1	\$2.01
252	6410222520	CLAMPING PLATE	PLAQUE DE FIXATION	1	\$27.08
253	6410222530	HEX. BOLT	BOULON HEXAGONAL	1	\$6.61
254	6410222540	LOCKING HANDLE	POIGNEE DE VERROUILLAGE	1	\$10.29
255	6410222550	LOCKING BUSHING	BAGUE DE VERROUILLAGE	1	\$4.54
256	6410222560	SET SCREW	VIS SANS TETE	1	\$1.61
257	6410222570	OIL FEEDER	HUILIER	1	\$3.39
258	6410222580	RIVET	RIVET	4	\$2.01
259	6410222590	INDICATING PLATE	PLAQUE INDICATRICE	1	\$7.76
260	6410222600	PLATE	PLAQUE	1	\$3.74
261	6410222610	KEY	CLE DE RETENUE	1	\$1.61
262	6410222620	GRADUATED DIAL	CADRAN INDICATEUR	1	\$26.39
263	6410222630	CURSOR	CURSEUR	1	\$11.44
264	6410222640	HANDWHEEL	VOLANT	1	\$49.28
265	6410222650	WASHER	RONDELLE	1	\$1.61
266	6410222660	NUT	ECROU	1	\$1.73
267	6410222670	HANDLE	POIGNEE DE MANIVELLE	1	\$22.83
267-2	6410222672	SHOULDER SHAFT BOLT	BOULON TIGE A EPAULEMENT	1	\$10.18
268	6410222680	STUDDERED SET SCREW	VIS SANS TETE AVEC TIGE	1	\$2.01
269	6410222690	RIVET	RIVET	2	\$1.55
270	6410222700	PLATE	PLAQUE	1	\$3.39
271	6410222710	HEX. NUT	ECROU HEXAGONAL	4	\$1.73
272	6410222720	STUD	TIGE FILETEE	4	\$3.28
273	6410222730	BED	LIT	1	\$730.25
274	6410222740	RACK	CREMAILLIERE	1	\$64.00
275	6410222750	CAP SCREW	BOULON A TETE CYLINDRIQUE	6	\$2.24
276	6410222760	CHIP TRAY	PLATEAU DE RECUPERATION	1	\$194.35
277	6410222770	FEED SCREW	TIGE D'ALIMENTATION	1	\$166.75
278	6410222780	CAP SCREW	BOULON A TETE CYLINDRIQUE	2	\$2.24
279	6410222790	OIL FEEDER	HUILIER	1	\$3.28
280	6410222800	BRACKET	SUPPORT	1	\$44.79
281	6410222810	SPECIAL HEX. NUT	ECROU HEXAGONAL SPECIAL	1	\$8.80
282	6410222820	CHIP SHIELD	PROTEGE ECLABOUSSURE	1	\$224.25
283	6410222830	HEX. NUT	ECROU HEXAGONAL	1	\$1.61
284	6410222840	WASHER	RONDELLE	1	\$1.55
285	6410222850	SET SCREW	VIS SANS TETE	1	\$2.13
286	6410222860	ADJUSTING SCREW	VIS D'AJUSTEMENT	3	\$14.55

Pricing subject to change without prior notice. / Prix sujet à changement sans préavis.



® Parts Pricing List / Liste de Prix des Pièces KC-1022ML

Diag.	Order # Com.	English Description	Description Française	Qty./Qté.	Price/Prix
287	6410222870	SQUARE HD BOLT	BOULON A TETE CARREE	3	\$11.44
288	6410222880	STEADY REST CASTING	LUNETTE FIXE EN FONTE	1	\$90.56
288-1	6410222881	COMPLETE STEADY REST ASS'Y	LUNETTE FIXE COMPLET ASSEMBLE	1	\$126.44
289	6410222890	JAW	MACHOIRE	3	\$16.04
290	6410222900	CLAMPING PLATE	PLAQUE DE FIXATION	1	\$18.00
291	6410222910	HEX. BOLT	BOULON HEXAGONAL	1	\$2.93
292	6410222920	WASHER	RONDELLE	1	\$1.67
293	6410222930	HEX. NUT	ECROU HEXAGONAL	1	\$1.78
294	6410222940	WASHER	RONDELLE	3	\$1.55
295	6410222950	SQUARE HD BOLT	BOULON A TETE CARREE	2	\$11.44
296	6410222960	WASHER	RONDELLE	2	\$1.55
297	6410222970	CAP SCREW	BOULON A TETE CYLINDRIQUE	2	\$2.24
298	6410222980	HEX. NUT	ECROU HEXAGONAL	5	\$1.61
299	6410222990	FOLLOW REST CASTING	LUNETTE MOBILE EN FONTE	1	\$77.45
299-1	6410222991	COMPLETE FOLLOW REST ASS'Y	LUNETTE MOBILE COMPLET ASS.	1	\$103.44
300	6410223000	WASHER	RONDELLE	2	\$1.55
301	6410223010	JAW	MACHOIRE	2	\$16.04
302	6410223020	ADJUSTING SCREW	VIS D'AJUSTEMENT	2	\$14.55
303	6410223030	COVER	COUVERCLE	1	\$22.60
304	6410223040	PAN HD SCREW	VIS A TETE BOMBEE	4	\$1.55
305	6410223050	WASHER	RONDELLE	4	\$1.55
306	6410223060	STARTING CAPACITOR	CONDENSATEUR DEMARRAGE	1	\$34.33
306-2	6410223062	RUNNING CAPACITOR	CONDENSATEUR D'OPERATION	1	\$17.08
307	6410223070	MOTOR	MOTEUR	1	\$320.85
308	6410223080	CAPACITOR CASE W/CLIP	BOITIER/CONDENSATEUR A/ATTACHE	2	\$10.98
309	6410223090	HEX. NUT	ECROU HEXAGONAL	2	\$1.55
310	6410223100	HEX. BOLT	BOULON HEXAGONAL	2	\$1.67
311	6410223110	PAN HD SCREW	VIS A TETE BOMBEE	4	\$1.67
313	6410223130	HOUSING	BOITIER	1	\$80.21
315	6410223150	STRAIN RELIEF	ATTACHE CORDON	1	\$2.93
316	6410223160	STRAIN RELIEF	ATTACHE CORDON	1	\$2.93
318	6410223180	PLATE	PLAQUE	1	\$14.66
320	6410223200	CAP SCREW	BOULON A TETE CYLINDRIQUE	2	\$1.73
321	6410223210	LIMIT SWITCH	INTERRUPTEUR DE CONTACT	1	\$61.93
322	6410223220	GUARD HOUSING	BOITIER DU GARDE	1	\$41.11
323	6410223230	SET SCREW	VIS SANS TETE	1	\$1.61
324	6410223240	CAP SCREW	BOULON A TETE CYLINDRIQUE	2	\$2.24
325	6410223250	GUARD SHAFT	TIGE DU GARDE	1	\$24.90
326	6410223260	SPRING PIN	GOUPILLE RESSORT	1	\$1.67
327	6410223270	CHUCK GUARD	PROTECTEUR DU MANDRIN	1	\$56.06
328	6410223280	5" - 3 JAW CHUCK	MANDRIN 5" - 3 MACHOIRS	1	\$227.70
329	6410223290	6-1/2" - 4 JAW CHUCK	MANDRIN 6-1/2" - 4 MACHOIRS	1	\$224.25
330	6410223300	5" CHUCK PLATE	PLATEAU DE MANDRIN 5"	1	\$159.45
331	6410223310	6-1/2" CHUCK PLATE	PLATEAU DE MANDRIN 6-1/2"	1	\$178.54
332	6410223320	EMERGENCY SAFETY SWITCH	INTERRUPTEUR ARRET D'URGENCE	1	\$68.94
333	6410223330	FORWARD/REVERSE SWITCH	INTERRUPTEUR AVANT/RENVERSE	1	\$297.85
334	6410223340	POWER START BUTTON	BOUTON DE DEMARRAGE	1	\$45.94

Pricing subject to change without prior notice. / Prix sujet à changement sans préavis.



® Parts Pricing List / Liste de Prix des Pièces KC-1022ML

Diag.	Order # Com.	English Description	Description Française	Qty./Qté.	Price/Prix
335	6410223350	8" FACE PLATE	PLATEAU DE TOURNAGE 8"	1	\$160.94
336	6410223360	CAP SCREW	BOULON A TETE CYLINDRIQUE	2	\$2.01
337	6410223370	LOCKING PLATE	LOQUET DE VERROUILLAGE	2	\$9.14
338	6410223380	CAP SCREW	BOULON A TETE CYLINDRIQUE	3	\$2.24
339	6410223390	CAP SCREW	BOULON A TETE CYLINDRIQUE	2	\$2.24
340	6410223400	LOCKING PLATE	LOQUET DE VERROUILLAGE	2	\$9.14
341	6410223410	CAP SCREW	BOULON A TETE CYLINDRIQUE	3	\$2.47
342	6410223420	GEAR -48T	ENGRENAGE -48D	1	\$64.00
343	6410223430	GEAR -120T	ENGRENAGE -120D	1	\$110.00
344	6410223440	OIL SIGHT GLASS	NIVEAU D'HUILE	1	\$4.54
345	6410223450	5" CHUCK KEY	CLE POUR MANDRIN 5"	1	\$29.84
346	6410223460	6 1/2" CHUCK KEY	CLE POUR MANDRIN 6 1/2"	1	\$34.44
347	6410223470	CONTACTOR (110V COIL)	CONTACTEUR (BOBINE 110V)	1	\$50.31
348	6410223480	OVERLOAD	RELAJ DE SURCHARGE	1	\$137.83
349	6410223490	DEAD CENTER (MT#3)	POINTE FIXE (MT#3)	1	\$41.23
349-2	6410223492	DEAD CENTER (MT#4)	POINTE FIXE (MT#4)	1	\$41.23
350	6410223500	KEY	CLE DE RETENUE	1	\$1.90
351	6410223510	BUSHING	COLLET	1	\$7.88
352	6410223520	STEEL BALL	BILLE D'ACIER	1	\$3.16
353	6410223530	GEAR BOX TOP PLATE	PLAQUE DU DESSUS DU BOITIER D'ENG.	1	\$11.44
354	6410223540	COUNTERSUNK SCREW	VIS A TETE FRAISEE	4	\$1.55
355	6410223550	CAP SCREW	BOULON A TETE CYLINDRIQUE	2	\$2.42
356	6410223560	WASHER	RONDELLE	2	\$1.55
357	6410223570	THRUST BEARING	ROULEMENT A BUTEE	2	\$26.39
888-8	6410228888	HARDWARE BAG FOR STAND	SAC DE QUINCAILLERIE	1	\$22.71
999	6410229990	COMP. TOOL & HARDWARE BOX	COFFRE D'OUTILS ET QUINC. COMP.	1	\$182.85
	641022MBIL	BILINGUAL MANUAL KC-1022ML	MANUEL BILINGUE KC-1022ML	1	\$15.00